

# Crawford 667 SME - Steel



Standard curtain dock shelter with steel frame



The Crawford 667 SME is a curtain dock shelter which is the standard solution for energy saving oriented operators. The shelter is equipped with a steel frame. The vehicle reverses into the Crawford 667 SME dock shelter which seals it off with flexible side and top curtains, giving weather protection during the loading and unloading process.

The result is an improved working environment and goods protection. The curtain material has a very high wear and tear resistance. The Crawford curtain dock shelter programme comprises a number of models, meeting all customer demands and suitable for a wide range of vehicle sizes.

Should a vehicle deviate from the dock-in centre-line and hit the shelter frame, built-in springs allow the shelter to follow the movement without being damaged. Its flexibility and high wear and tear resistance, in combination with a high price-performance ratio, contribute to the fact that the vast majority of all European loading bays are equipped with this standard dock shelter!

## Unique fixation of front curtains to frame

Unlike conventional mechanical dock shelters, the front curtains of the Crawford 667 SME are fixed to the front frames with steel balls. The steel balls hold the fabric in place inside the frame in a flexible way allowing movement during impact from trucks. The result is that the tear resistance of the fabric is increased and breaking points are avoided. This solution is based on factory made holes in the fabric versus holes made by screws or nits.

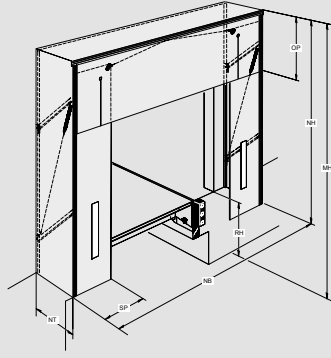
## High focus on the environment

All Crawford mechanical dock shelters can be equipped with a number of standard options for improved working conditions and less draught into the building. See the next page for more detailed information.

## Technical Data

|                           |  |
|---------------------------|--|
| Normal height             | 3280, 3480, 3680 mm  |
| Normal width              | 3250, 3450 mm  |
| Normal depth              | 600, 900 mm  |
| Top curtain               | 1000 mm  |
| Curtain colour            | black  |
| Parking guides            | white  |
| Wall fixings              | concrete, light concrete, Loadhouse, cavity, insulated panel |
| Top and side curtains     | double layer high quality polyester                          |
| Thickness                 | 3,0 mm   |
| Weight                    | Approx. 3400 g/m <sup>2</sup>                                |
| Continuous roof cover     | one layer high quality polyester                             |
| Thickness                 | 0,5 mm   |
| Weight                    | Approx. 680 g/m <sup>2</sup>                                 |
| Flammability all curtains | DIN 75200  |

# Dimensions



| Abb. | Dimension             | Value (mm)         |
|------|-----------------------|--------------------|
| NW   | Nominal width         | 3280, 3480, 3680   |
| NH   | Nominal height        | 3250, 3450         |
| OP   | Length of top curtain | 1000, 1200, 1500   |
| SP   | Width of side curtain | 600, 700           |
| MH   | Installation height   | 4500 (recommended) |
| NT   | Nominal depth         | 600, 900           |
| RH   | Ramp height           |                    |

# Description of available options

Standard options for improved working conditions and less draught into the building.

### A - Rain Channel

The unique channel is integrated in the middle of the roof part.

- Controlled water drainage
- The water is led out left and right, not into the loading area

### B - Splitted top curtain

4 slits with double overlapping layer of PVC curtain material in the main wear area.

- Flexible coverage of rear top corners of docked vehicle for best sealing
- Less draught into the building

### C - Digit on top curtain

300 mm high letters or numbers printed in the middle of the top curtain.

- Individual customised marking of loading bays

### D - Reinforced rubber flaps

Robust rubber flap placed left and right in lower corners behind the front curtain

- Increased pressure on the docked vehicle body for best sealing
- Improved stability for the complete dock shelter in windy area
- Less draught into the building

### E - Corner seals

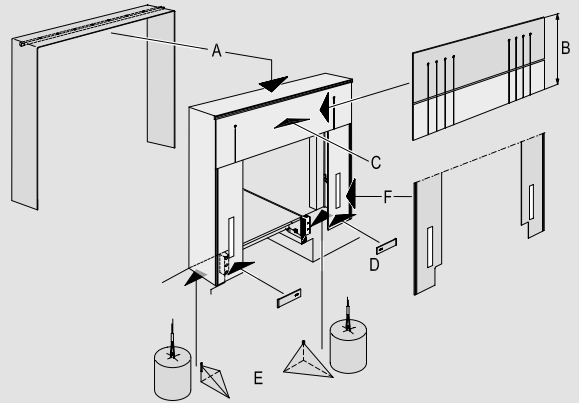
Triangle or round cushions covered with PVC curtain material in lower corners of the dock shelter.

- Minimization of draught from below during loading and unloading

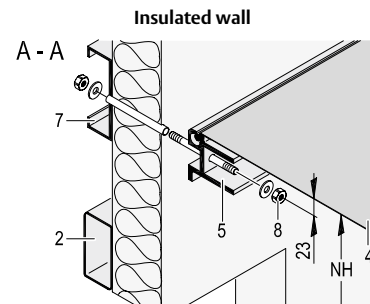
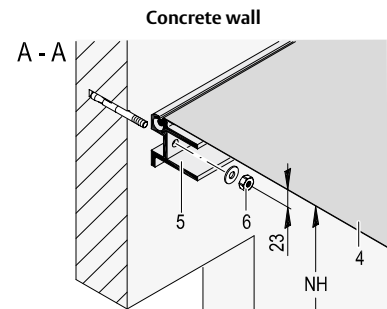
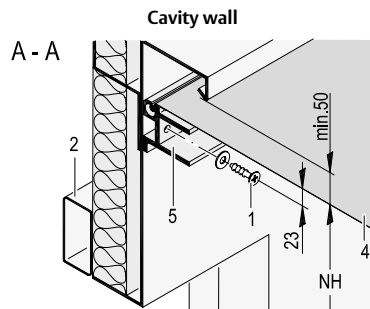
### F - Notching on both sides

From factory a square of the lower corner front curtain is cut out.

- Avoid damaged front curtains due to the collision between vehicle and buffer
- Recommended in combination with min. 140 mm deep buffers, like RB, EBH, EBF or steel spring buffer



# Wall fixings



|   |  |
|---|--|
| 1 | Self-tapping screw                                 |
| 2 | Door mounting frame rectangular tube 80 x 40 x 2   |
| 3 | Sheet metal 3 mm thick                             |
| 4 | Roof cover   |
| 5 | Extruded aluminium section - rear frame            |
| 6 | Expansion bolt                                     |
| 7 | Mounting frame for dock shelter, 120 x 40 x 15 x 3 |
| 8 | Threaded bolt with nut, washer and spacer tube     |

2, 3, 7 are not included in installation price